



Installation instructions, accessories

Volvo Car Corporation Gothenburg, Sweden

Instruction No	Version	Part. No.
31399519	1.0	31373831, 30776728

electric engine heater, 230 V, R-design



IMG-378205



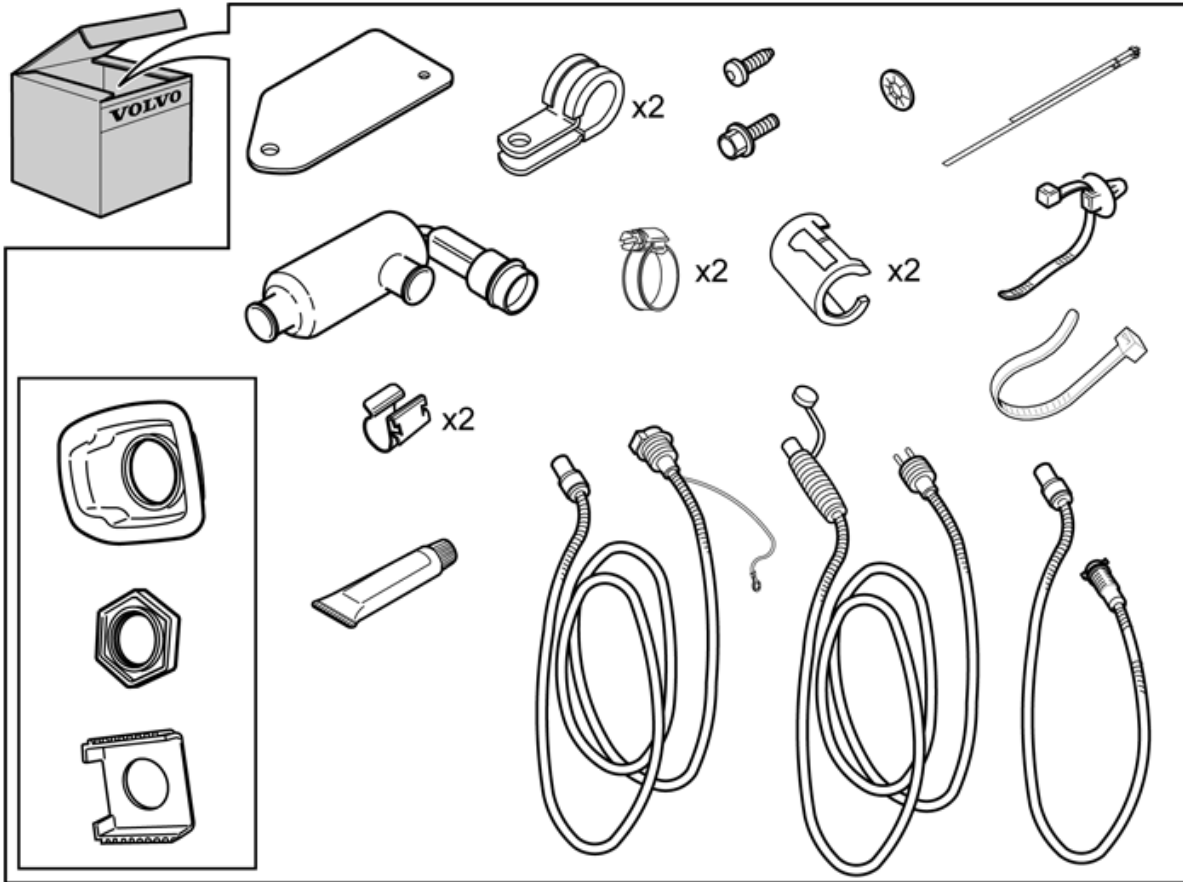
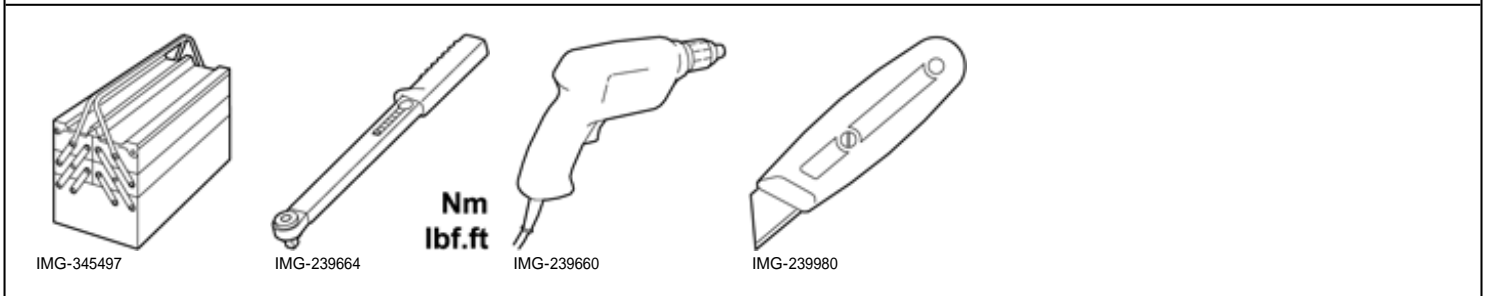
Installation instructions, accessories

Volvo Car Corporation Gothenburg, Sweden

Materials

Designation	Part number
Grease	1161761

Equipment



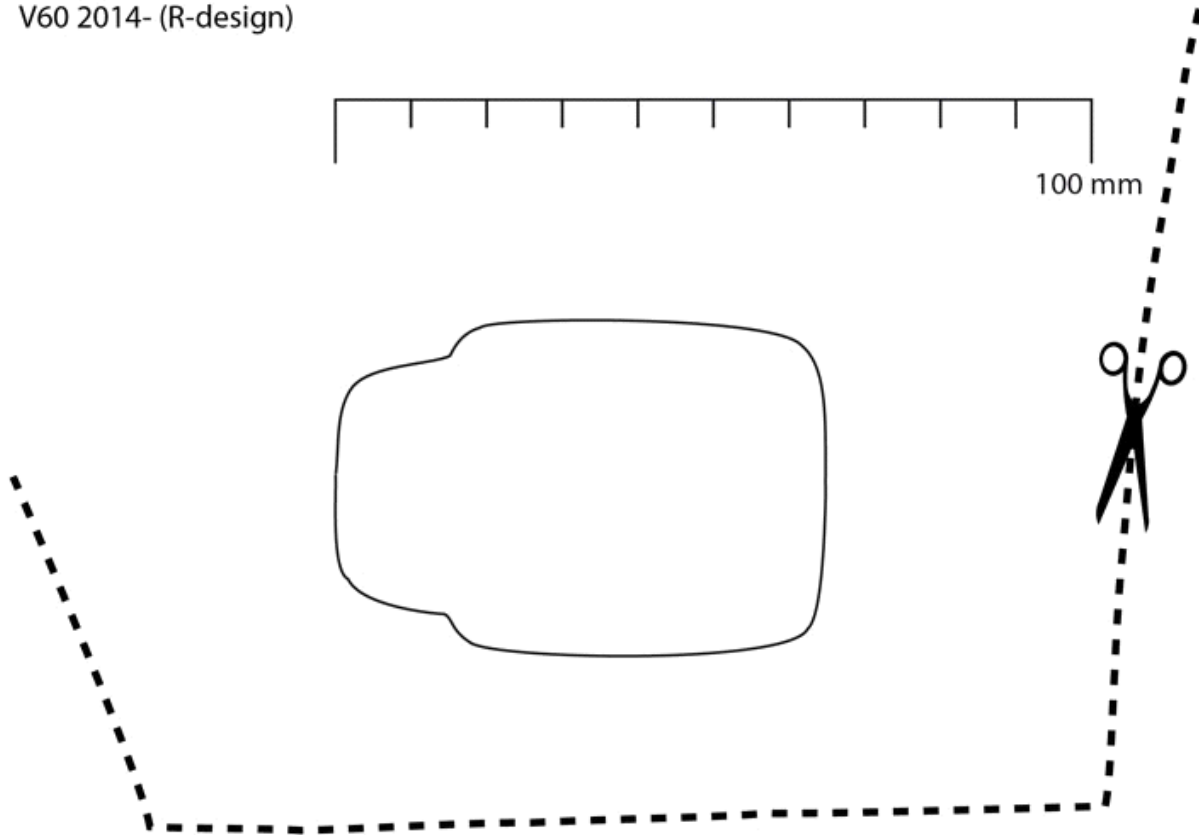


Installation instructions, accessories

Volvo Car Corporation Gothenburg, Sweden

S60 (11-) 2014- (R-design)

V60 2014- (R-design)



IMG-378792



Installation instructions, accessories

Volvo Car Corporation Gothenburg, Sweden

Information

1

Read through all of the instructions before starting installation.

Notifications and warning texts are for your safety and to minimise the risk of something breaking during installation.

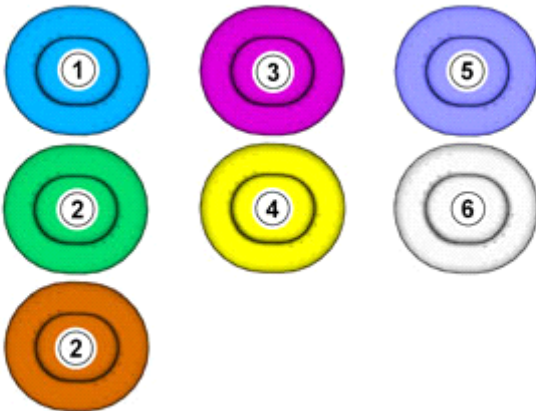
Ensure that all tools stated in the instructions are available before starting installation.

Certain steps in the instructions are only presented in the form of images. Explanatory text is also given for more complicated steps.

In the event of any problems with the instructions or the accessory, contact your local Volvo dealer.

Color symbols

2



IMG-363036

Note!

This colour chart displays (in colour print and electronic version) the importance of the different colours used in the images of the method steps.

1. Used for focused component, the component with which you will do something.
2. Used as extra colors when you need to show or differentiate additional parts.
3. Used for attachments that are to be removed/installed. May be screws, clips, connectors, etc.
4. Used when the component is not fully removed from the vehicle but only hung to the side.
5. Used for standard tools and special tools.
6. Used as background color for vehicle components.

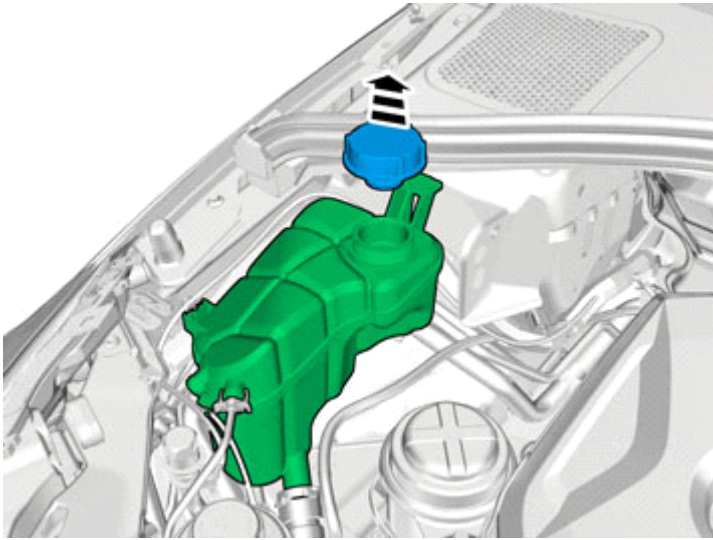
Removal



Installation instructions, accessories

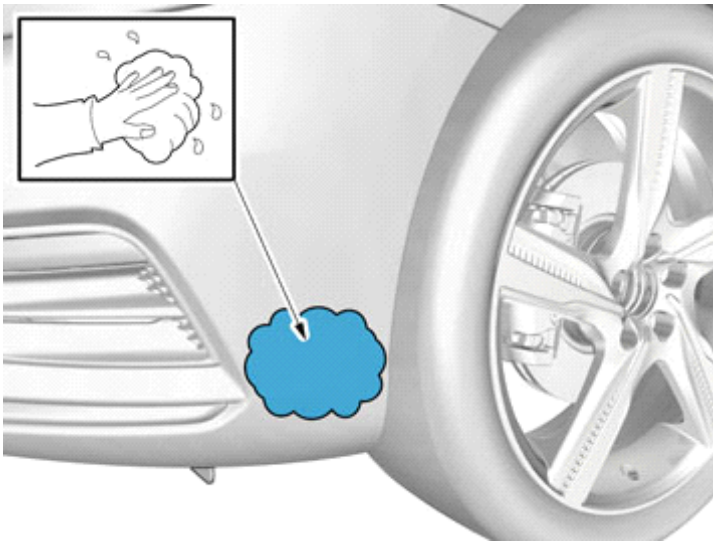
Volvo Car Corporation Gothenburg, Sweden

3



IMG-351277

4



IMG-378803

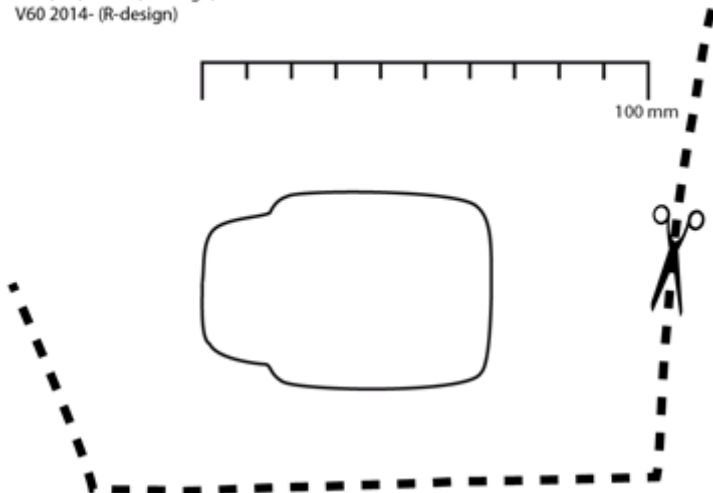
Note!

Use soap solution.

Clean the Bumper Cover surface.

5

S60 (11-) 2014- (R-design)
V60 2014- (R-design)



IMG-378804

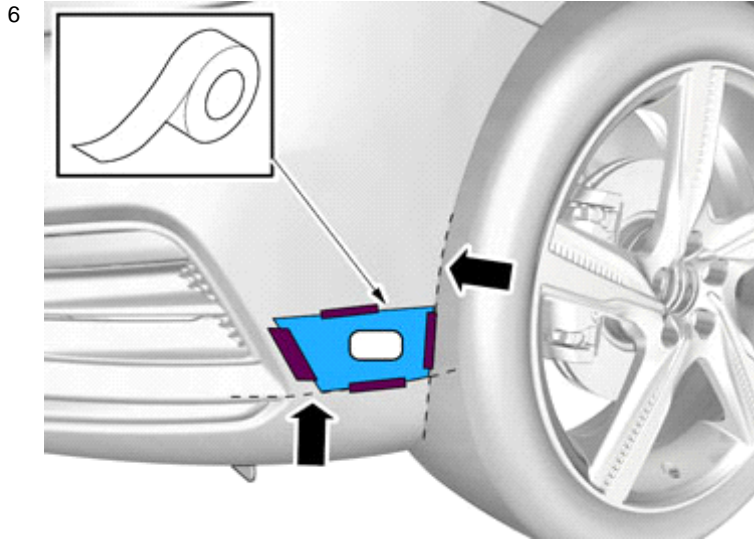
Use the template in the installation instructions.

Cut following the dotted lines.

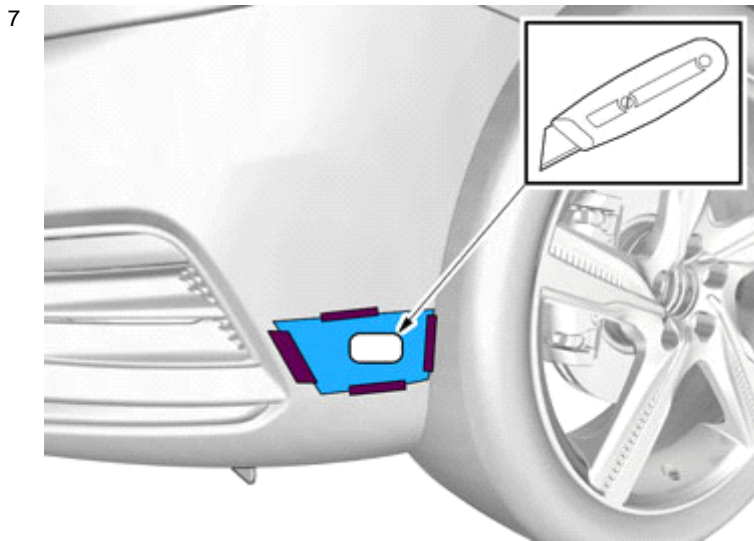


Installation instructions, accessories

Volvo Car Corporation Gothenburg, Sweden

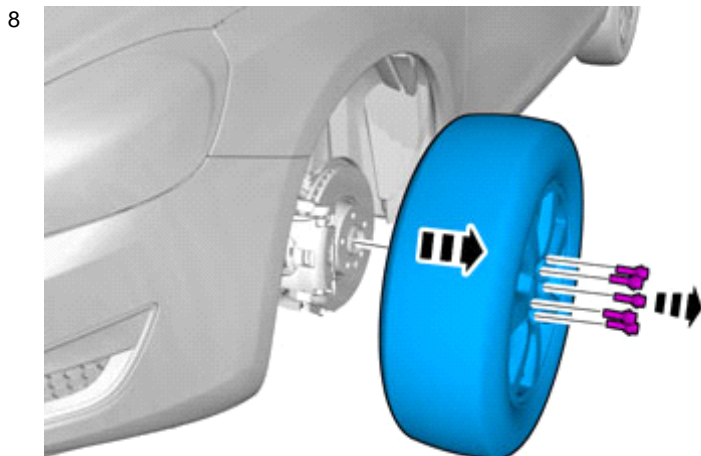


IMG-378808



Caution!
Cut carefully to avoid unintentional damage or personal injury.

IMG-378809



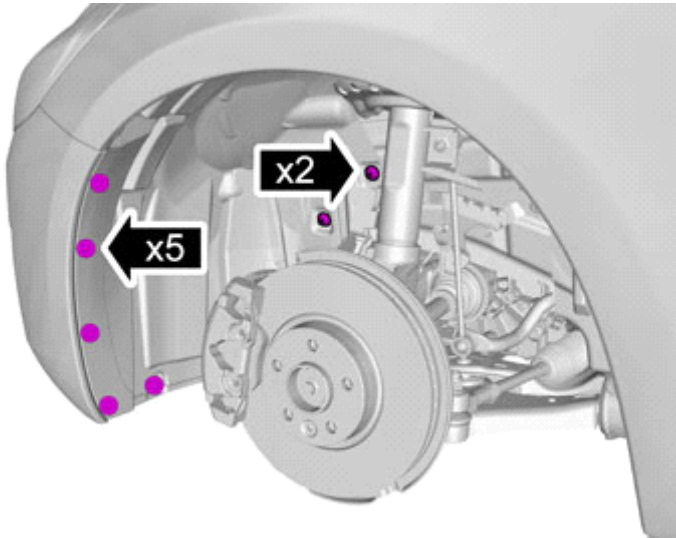
IMG-352021



Installation instructions, accessories

Volvo Car Corporation Gothenburg, Sweden

9

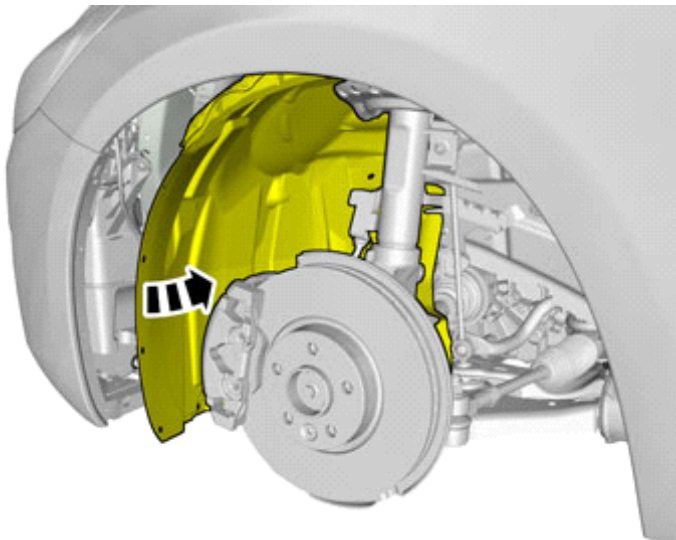


IMG-352031

Remove the screws.

Remove the nuts.

10



IMG-352036

Fold the wing liner to one side.

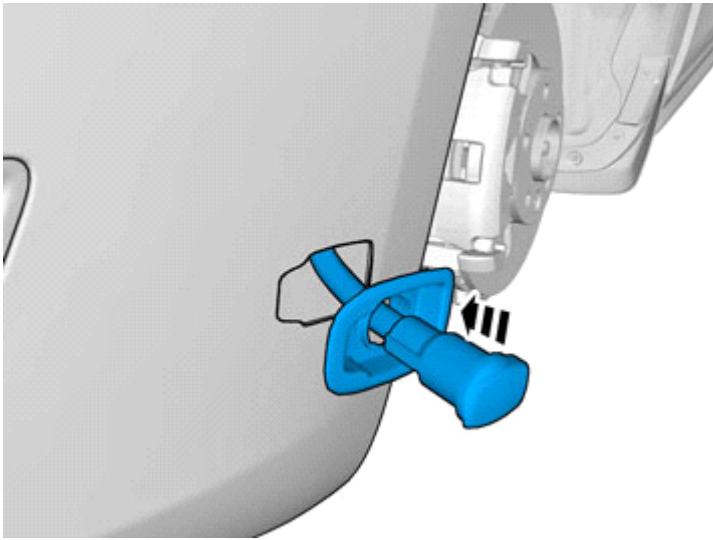
Accessory installation



Installation instructions, accessories

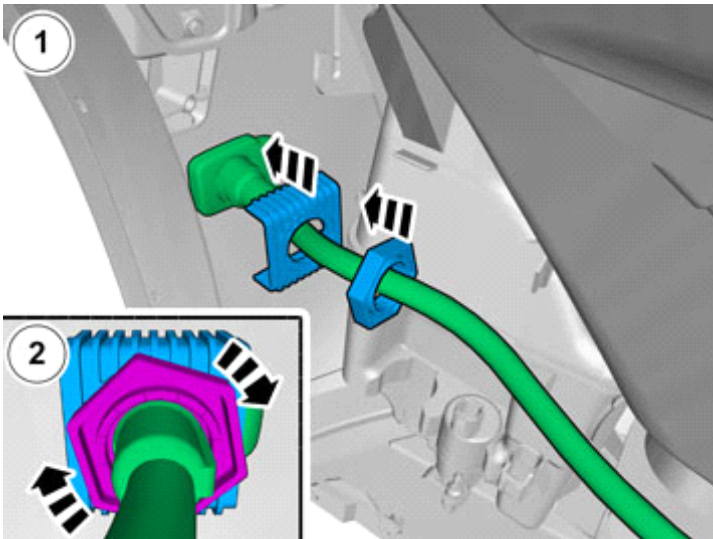
Volvo Car Corporation Gothenburg, Sweden

11



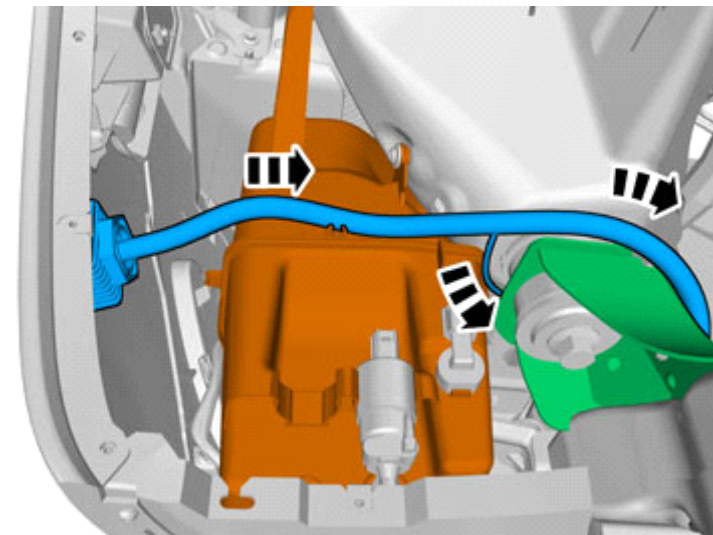
IMG-351436

12



IMG-351416

13



IMG-351696

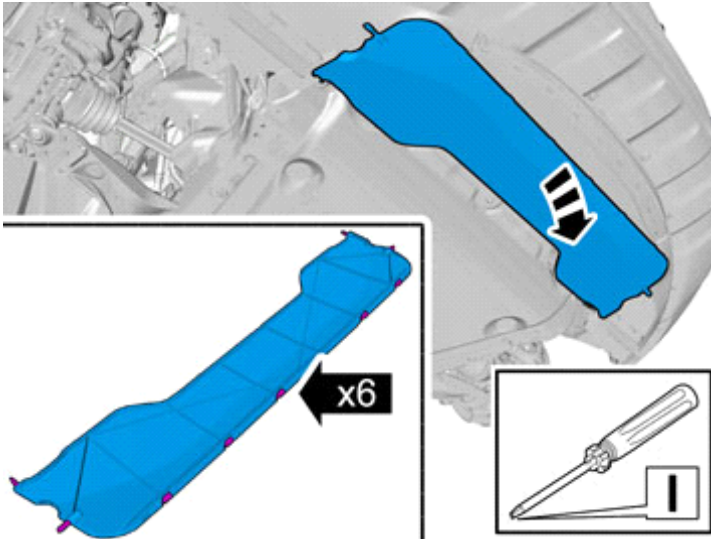


Installation instructions, accessories

Volvo Car Corporation Gothenburg, Sweden

Removal

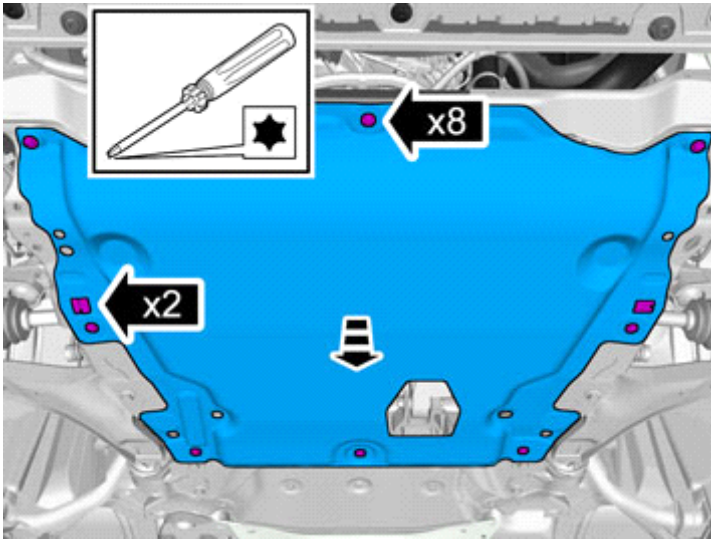
14



IMG-351435

Remove the panel.

15



IMG-351437

Remove the screws.

Remove the clips.

Remove the panel.

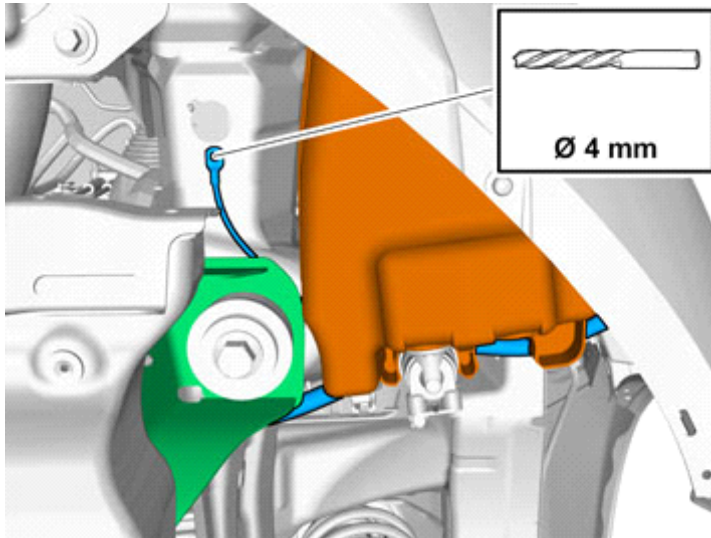
Accessory installation



Installation instructions, accessories

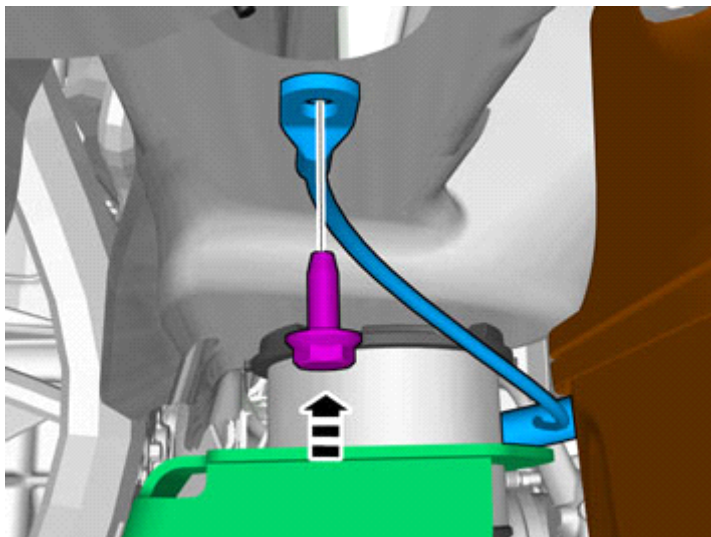
Volvo Car Corporation Gothenburg, Sweden

16



IMG-351691

17

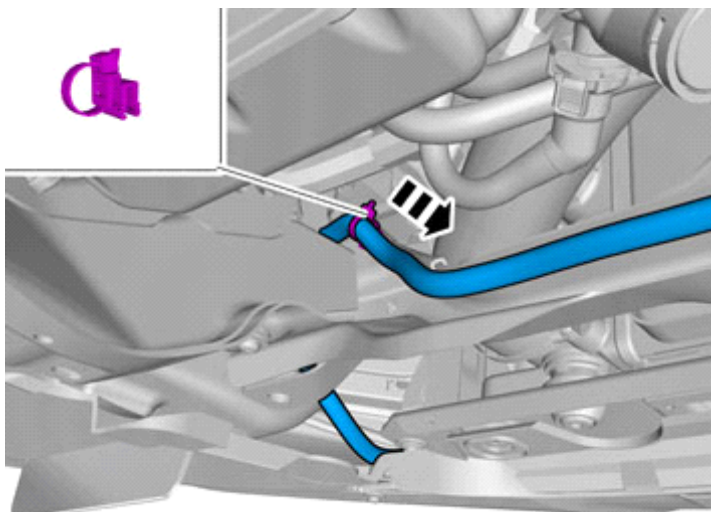


IMG-351701

Install the screw.

Tightening torque: M6 , 10 Nm

18



IMG-343163

Pull the wiring through.

Install a clips onto the upper edge of the subframe.

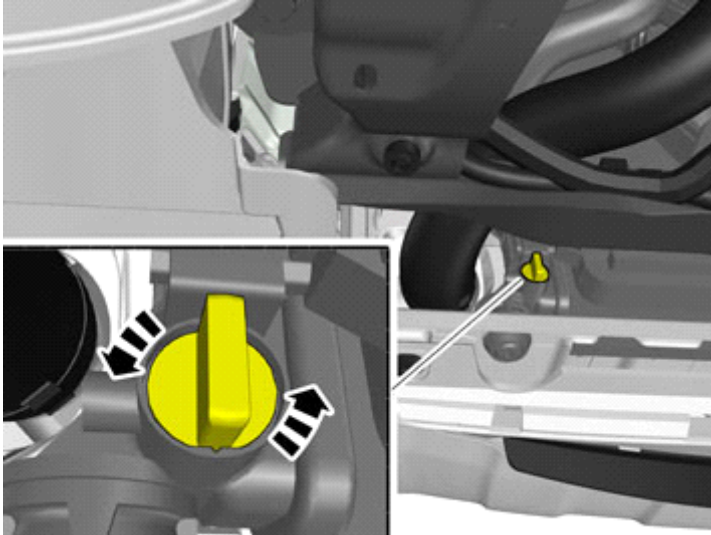


Installation instructions, accessories

Volvo Car Corporation Gothenburg, Sweden

Removal

19



IMG-351271

Note!

Close the drain cock after the coolant has drained.

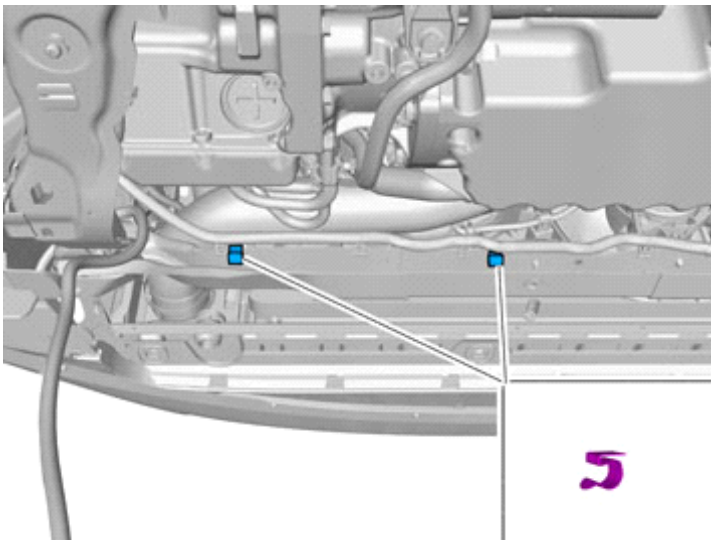
Place a container under the car.

Drain the coolant.

Tighten the nipple after draining the coolant.

Accessory installation

20



IMG-344072

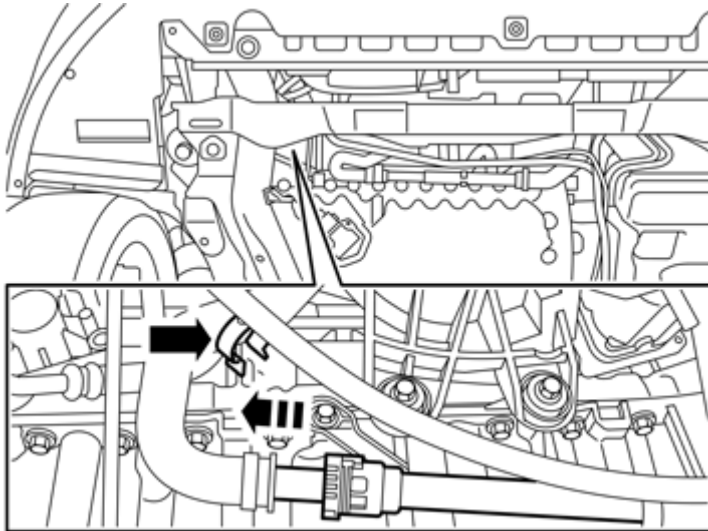
Install a clips onto the upper edge of the subframe.



Installation instructions, accessories

Volvo Car Corporation Gothenburg, Sweden

21

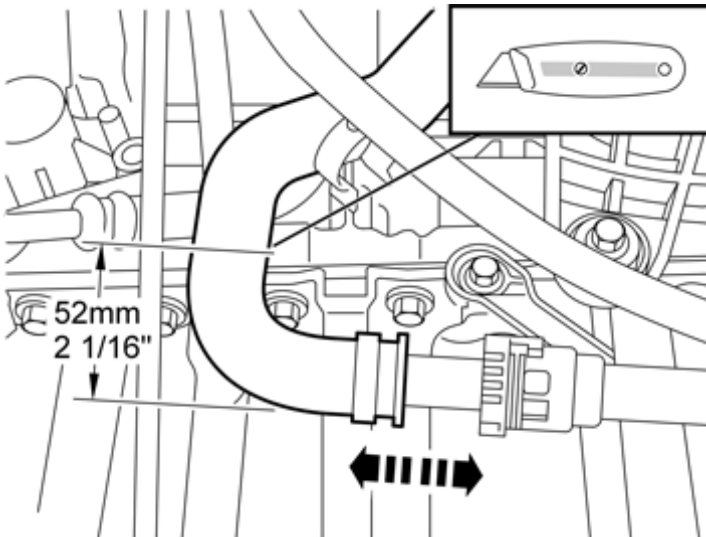


IMG-231474

Warning!

Be prepared to collect escaping fluid.

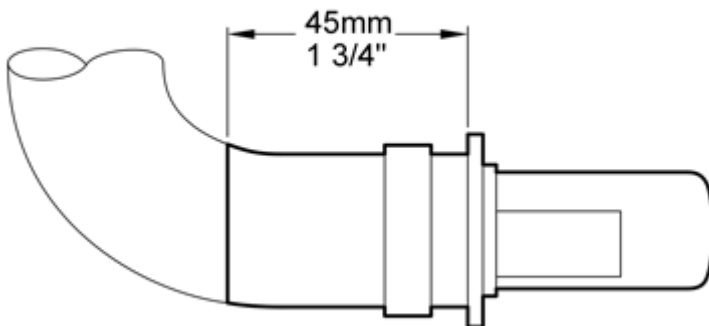
22



IMG-231475

Remove the hose.

23



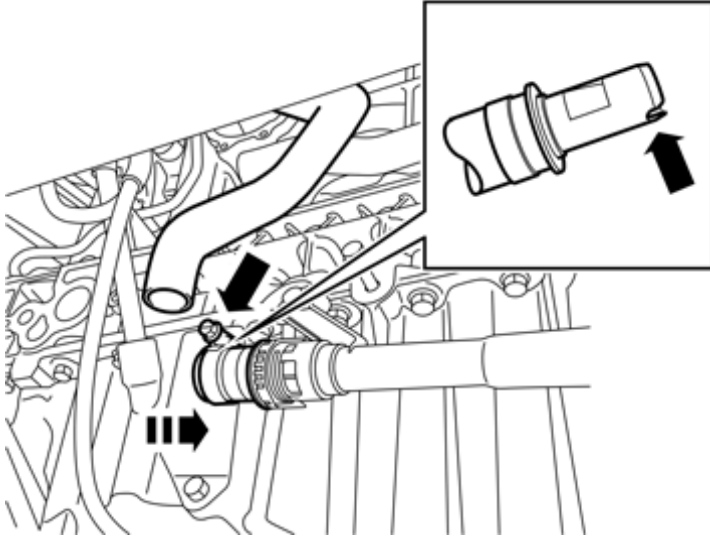
IMG-231476



Installation instructions, accessories

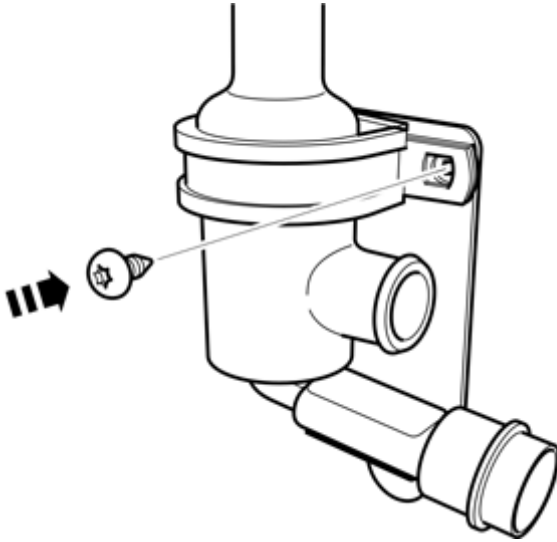
Volvo Car Corporation Gothenburg, Sweden

24



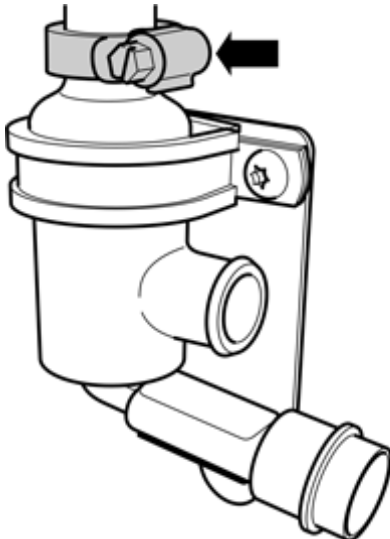
IMG-231477

25



IMG-231478

26



Install the hose.

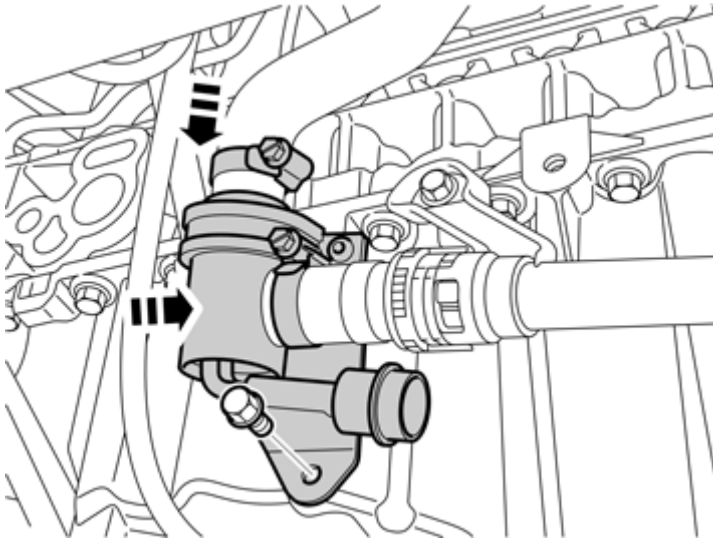
IMG-231479



Installation instructions, accessories

Volvo Car Corporation Gothenburg, Sweden

27

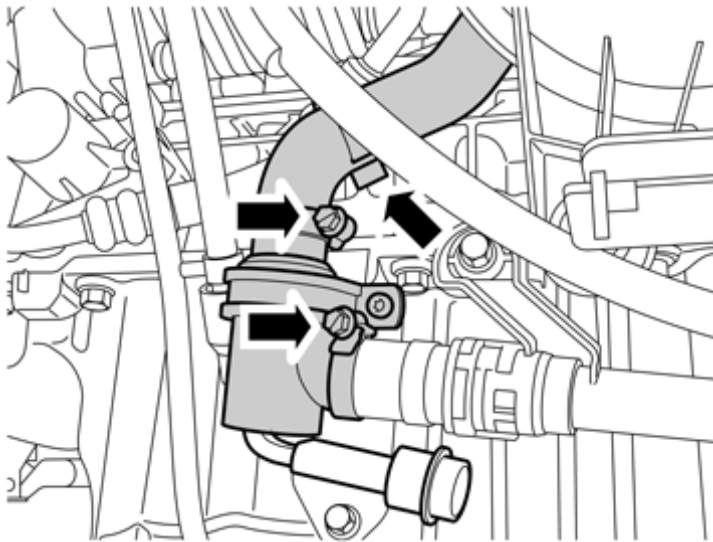


IMG-231480

Install the hose.

Install the screw.

28



IMG-231481

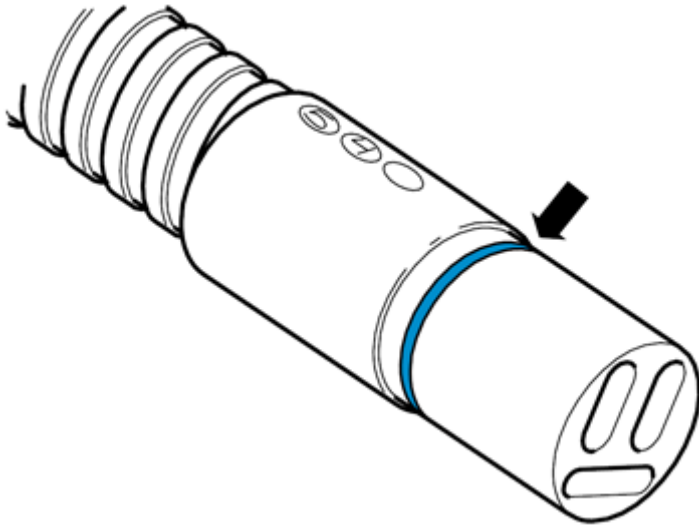
Tighten the hose clamps.



Installation instructions, accessories

Volvo Car Corporation Gothenburg, Sweden

29



IMG-352076

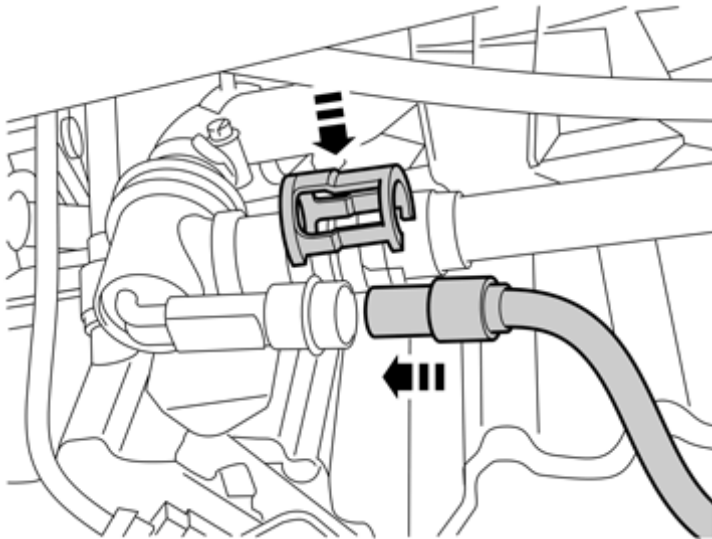
Caution!

No grease on contact surfaces.

Lubricate the O-ring.

Use: 1161761, Grease

30



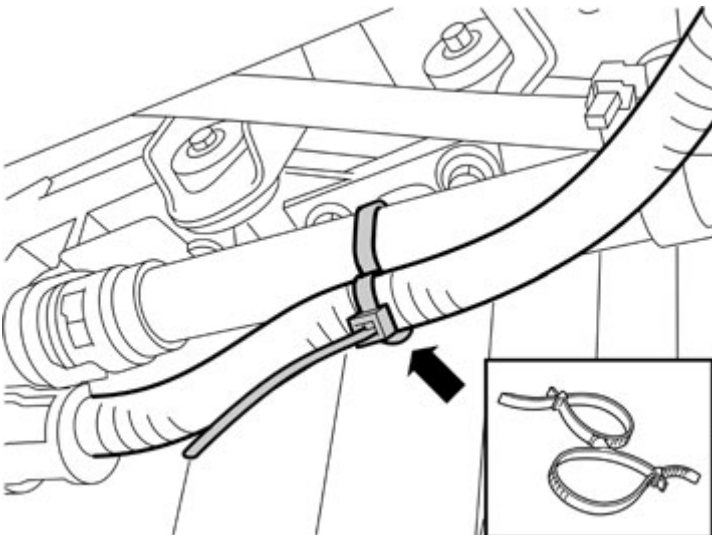
IMG-231482

Install component that comes with the accessory kit.

Connect the cable.

Install the clip(s).

31



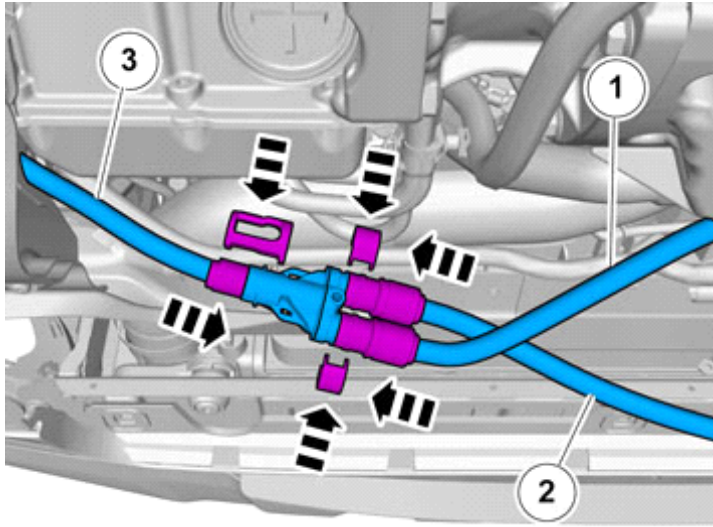
IMG-372731

Install the clip(s).



Vehicles with passenger compartment connector

32



IMG-344086

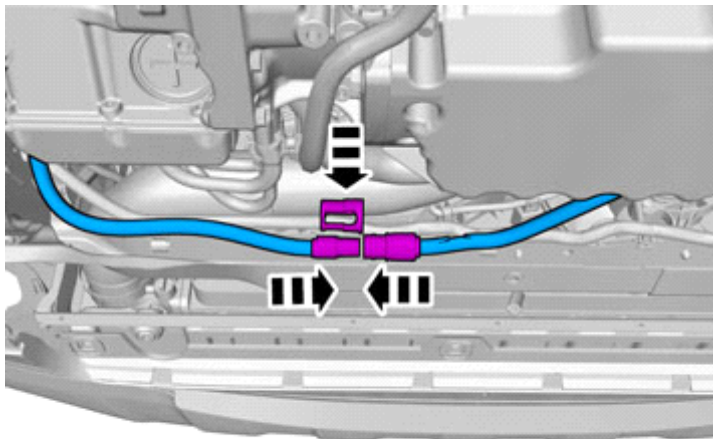
Connect the prerouted cables.

1. Cable from Engine block heater
2. Passenger Compartment Connector Cable
3. Cable from front socket

Install the clips as illustrated.

Vehicles without passenger compartment connector

33



IMG-344076

Connect the prerouted cables.

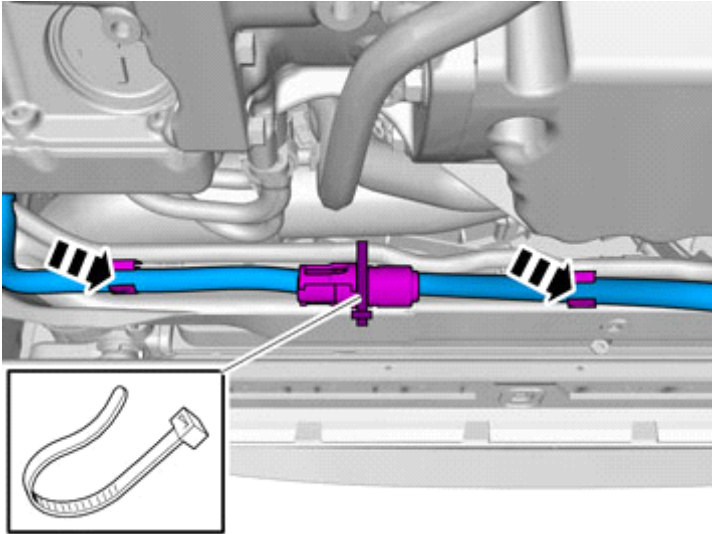
Install the clip(s).



Installation instructions, accessories

Volvo Car Corporation Gothenburg, Sweden

34

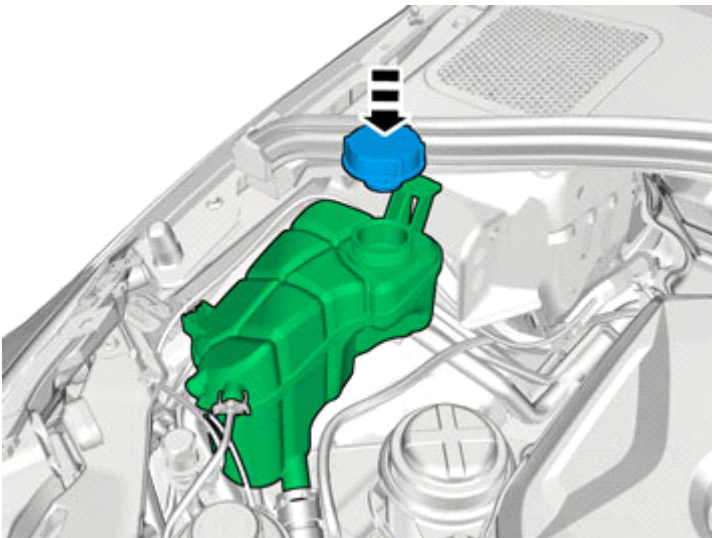


IMG-344077

Install the cable.

Installation

35



IMG-352094

Caution!

Do not clamp the wire onto brake line or fuel line or power steering hose, or similar.

Caution!

Make sure to locate the wiring in such a way that any damage caused by heat or excessive wear is avoided.

Clamp the cables and connectors to the existing cables to prevent noise.

Reinstall the removed parts in reverse order.

Fill with coolant and run the engine to operating temperature.

Vent the cooling system and check for leakage.

Post-fill the cooling system if necessary.